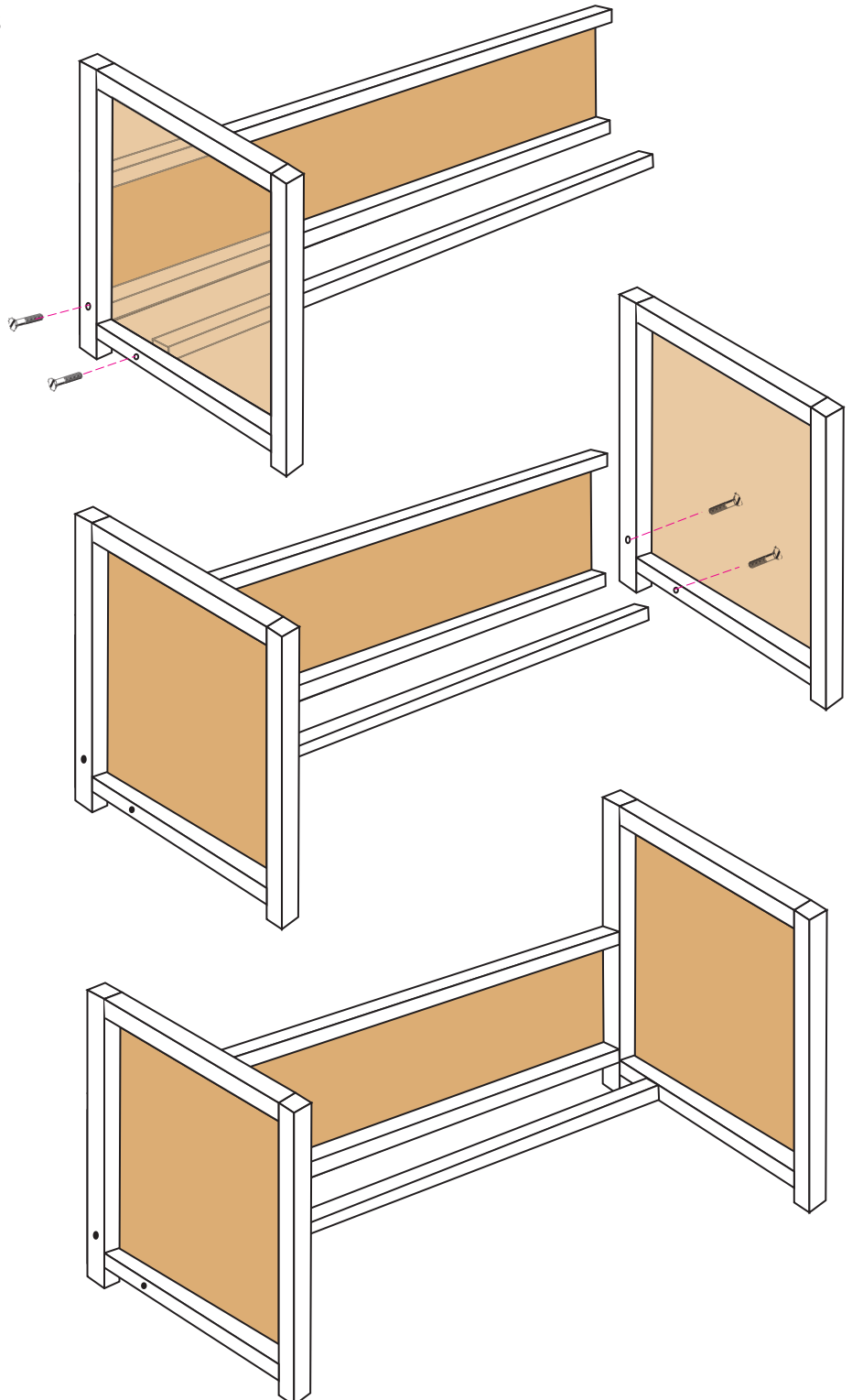


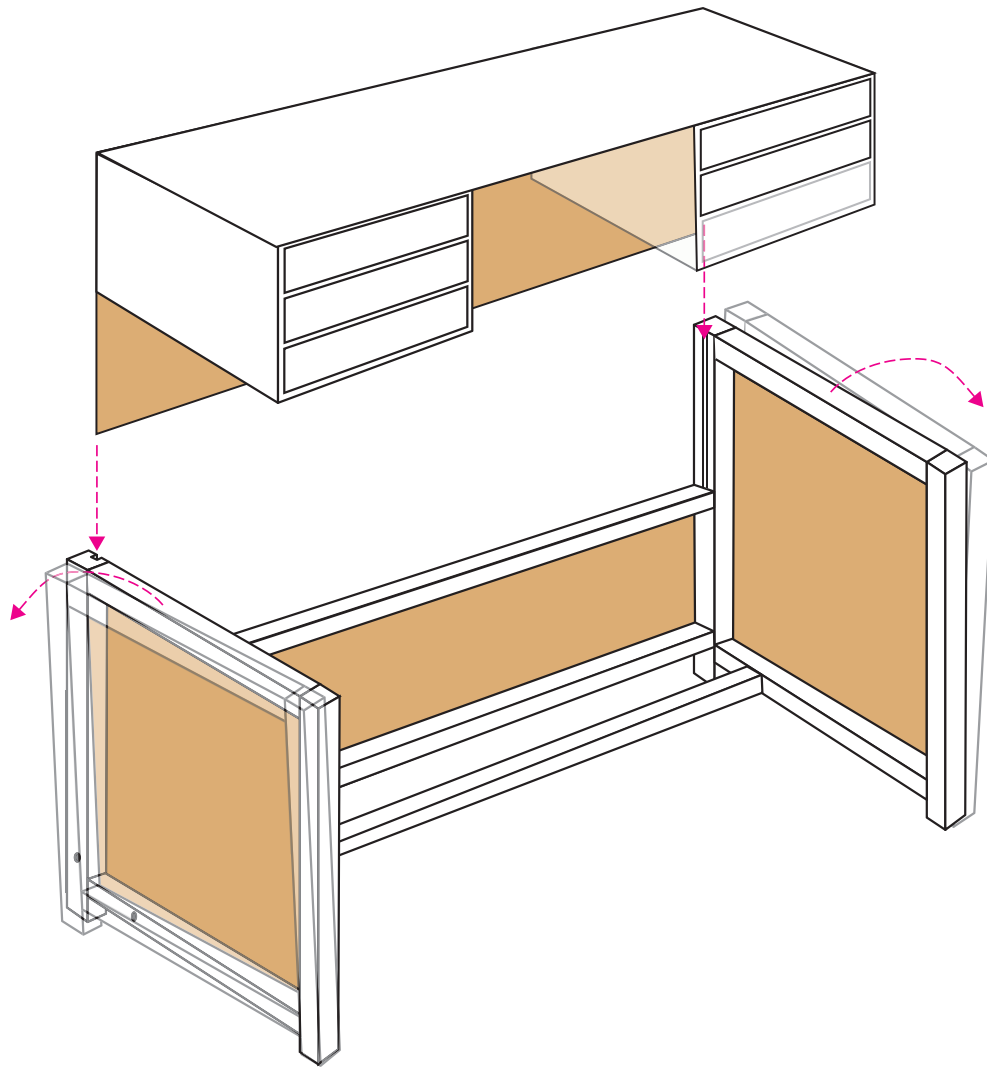
HOW TO ASSEMBLE TIME3591 WATCHMAKER BENCH

Insert the footrest into its seats and gently screw/thread it by means of 2 screws **diam. 8mm x Length mm 50** and also half of the back (screw **diam 8 mm x Length 70 mm**) in the left side of the bench.

Do not secure firmly but screw gently for now

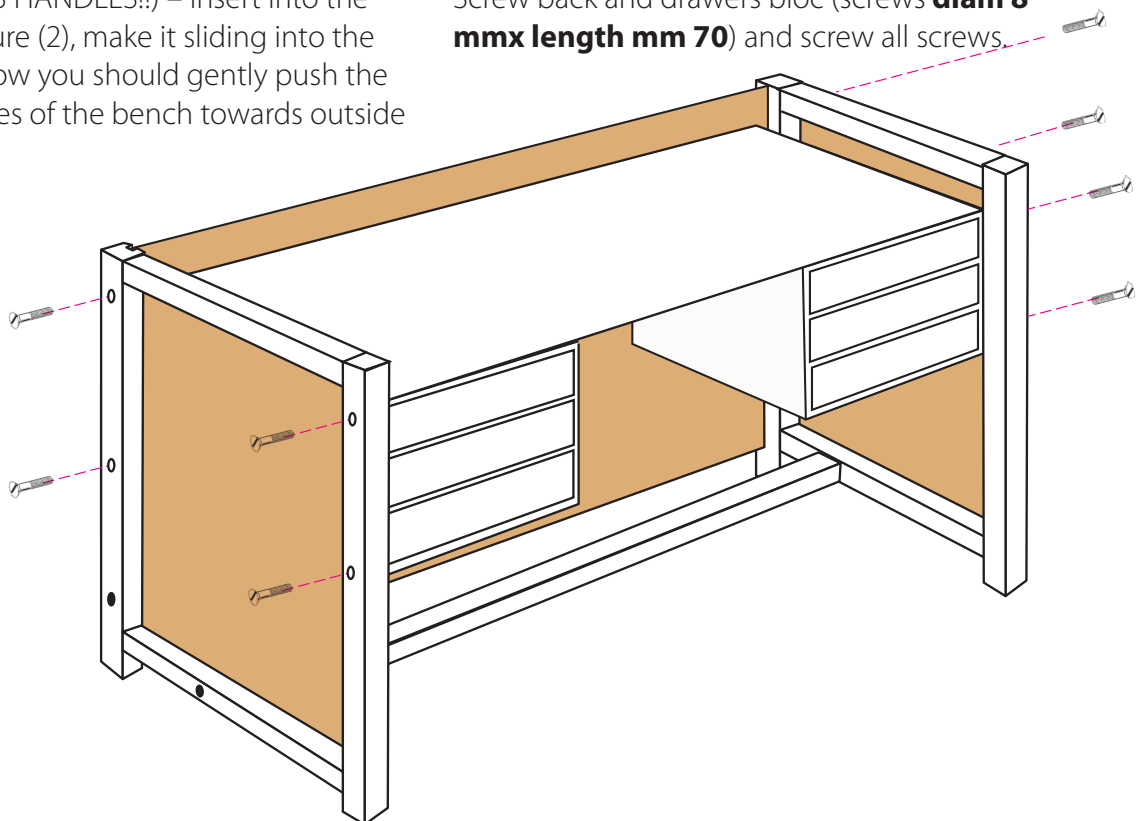


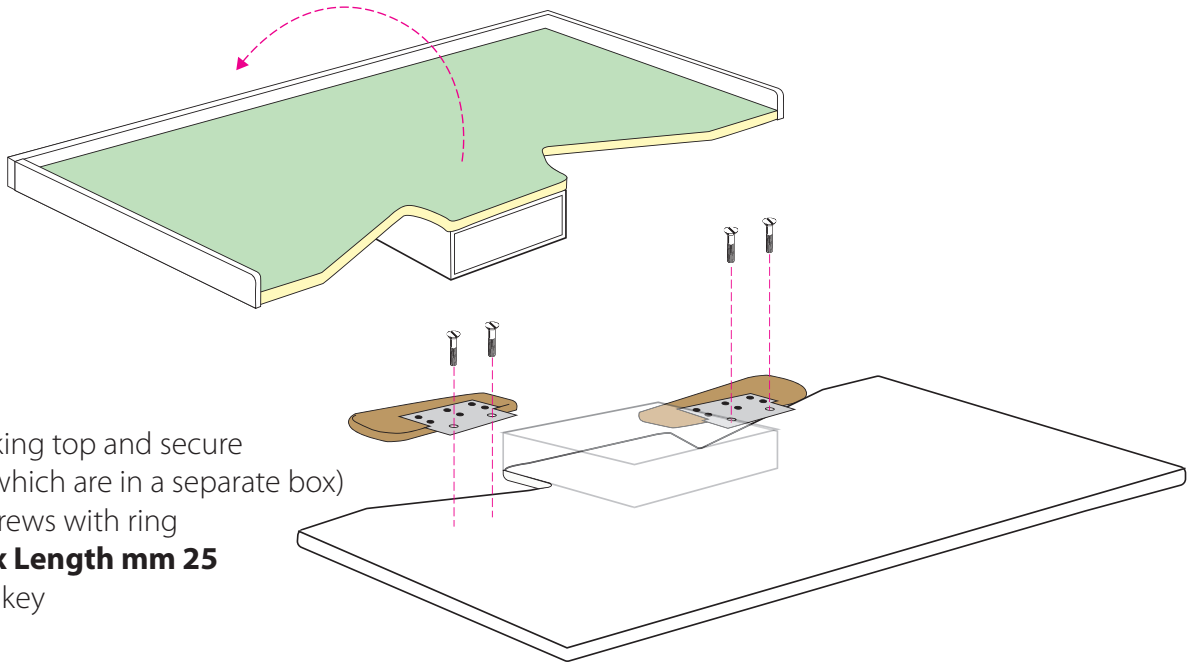
Make same operation with the right side



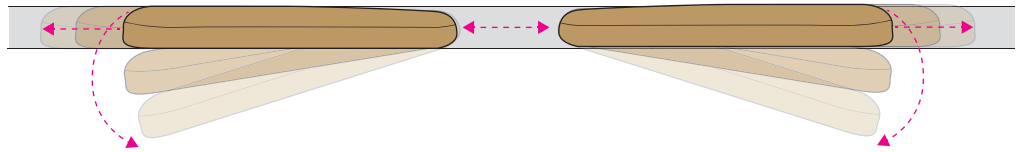
(For this step you need please some help from another person – this operation needs two persons): lift up the drawers bloc on its sides (1) (DO NOT LIFT UP BY TAKING THE DRAWERS HANDLES!!) – insert into the frame /structure (2), make it sliding into the leg milling. Now you should gently push the shoulders/sides of the bench towards outside

(just 1 cm approx max) to help the drawers bloc to slide down up to rest on the metal support brackets (squadretta see the photo) which are already fitted inside the shoulders. Screw back and drawers bloc (screws **diam 8 mmx length mm 70**) and screw all screws.



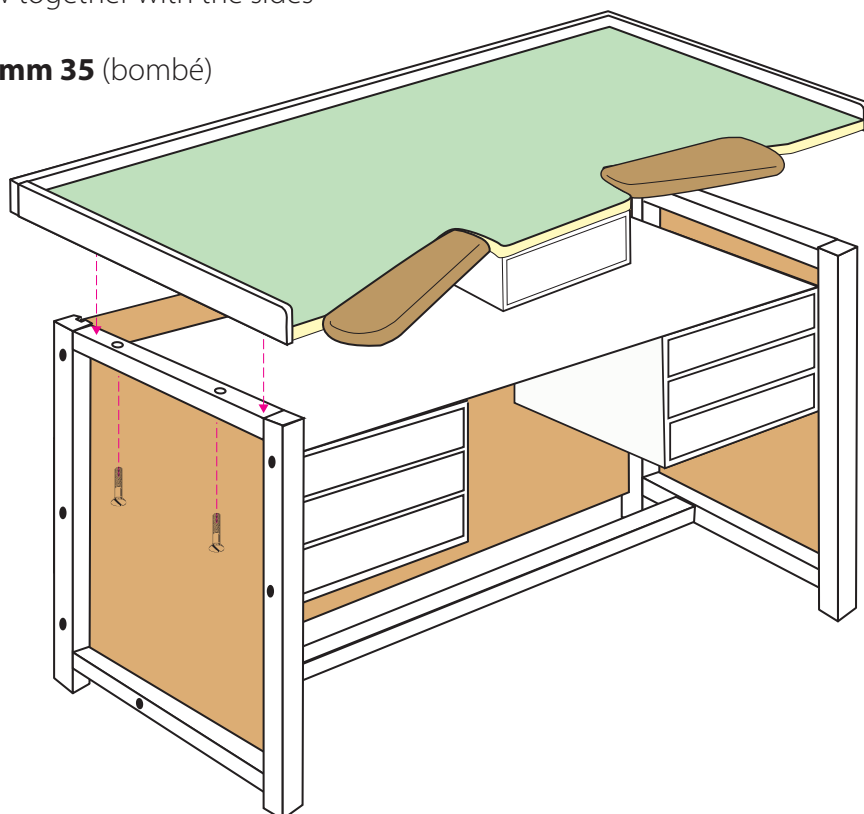


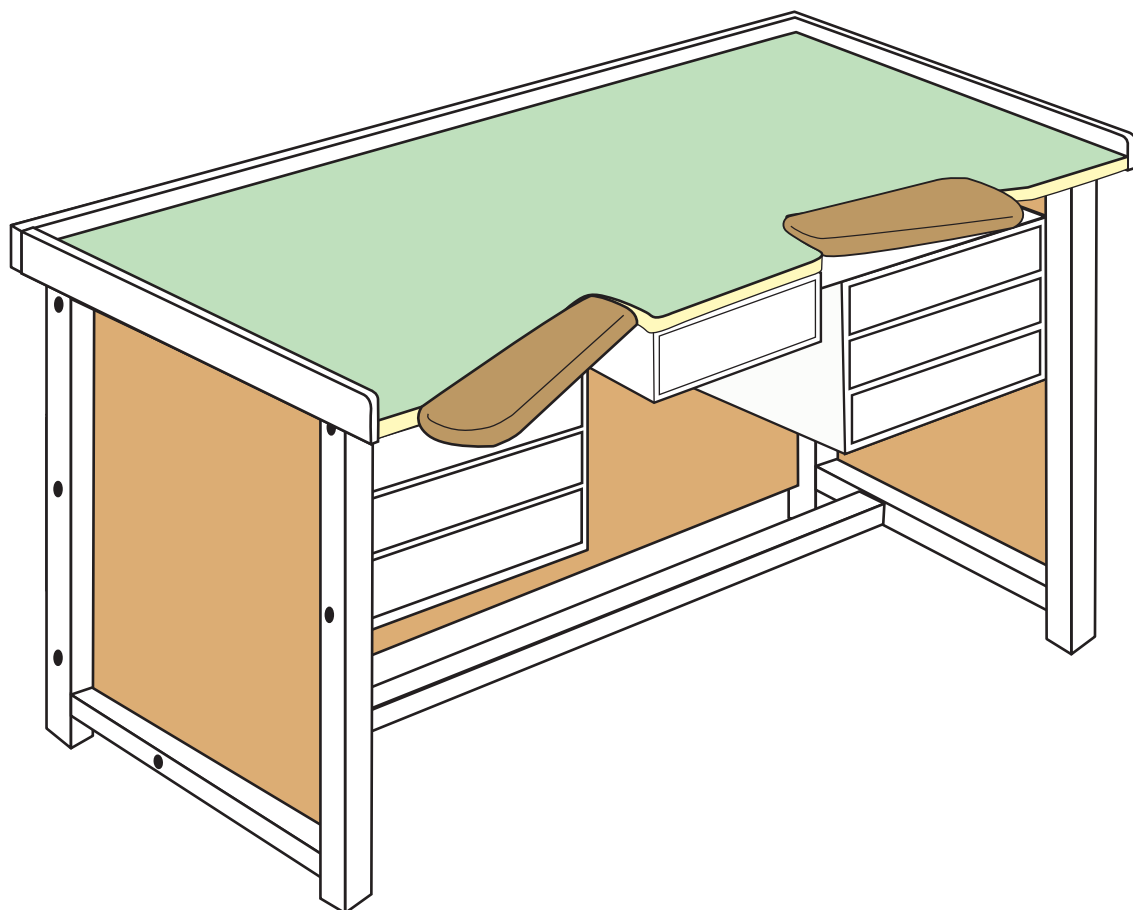
The bench is supplied with T key n. 5 + one big key for screws – medium key (D) – small key (which is needed for adjusting the armrests inclination and it is supplied complete with all needed screws as described.



Now fit the working top onto the frame/structure and secure from below together with the sides by means of screws

diam 6mm x length mm 35 (bombé)





The producer/supplier is not responsible for any accident or damage to the person which could occur during positioning, assembling and disassembling. It is necessary to respect the safety precautions while moving, assembling, disassembling and it is necessary to use individual protection device (protective gloves, suitable equipment and suitable tools) : all actions and operation are at responsibility of the user!!!

It is forbidden to use the product for unforeseen applications. The product is a Watchmaker bench and must be used as Watchmaker bench only!!!